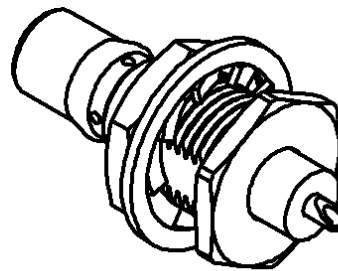
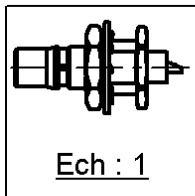
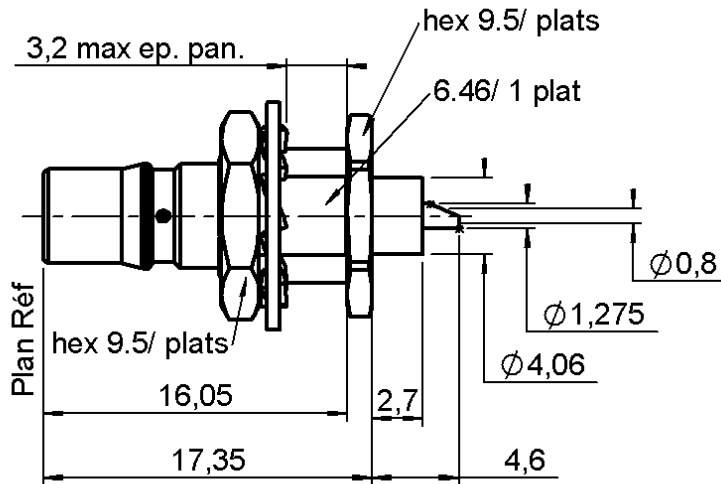


STRAIGHT BULKEAD RECEPTACLE

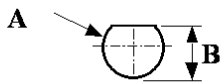
R123.553.000

REAR MOUNTING

Series : QMA



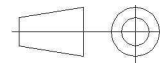
PANEL CUT OUT



	mm	
	Maxi	mini
A	7.3	7.2
B	6.65	6.5



All dimensions are in mm.



COMPONENTS	MATERIALS	PLATING (µm)
BODY	BRASS	BBR 2
CENTER CONTACT	BERYLLIUM COPPER	GOLD 1.3 OVER COPPER 2.5
OUTER CONTACT	-	-
INSULATOR	PTFE	-
GASKET	-	-
OTHERS PARTS	BRASS	BBR 2
-	-	-
-	-	-

Issue : 0923 B

In the effort to improve our products, we reserve the right to make changes judged to be necessary.



STRAIGHT BULKEAD RECEPTACLE

R123.553.000

REAR MOUNTING

Series : QMA

PACKAGING

SPECIFICATION

Standard	Unit	Other
100	'W' option	Contact us

ELECTRICAL CHARACTERISTICS

ENVIRONMENTAL

Impedance	50	Ω
Frequency	0-6	GHz
VSWR	*1.18 + 0,0000	x F(GHz) Maxi
Insertion loss	0.07	$\sqrt{F}(\text{GHz})$ dB Maxi
RF leakage	- (**80)	- F(GHz)) dB Maxi
Voltage rating	500	Veff Maxi
Dielectric withstanding voltage	1000	Veff mini
Insulation resistance	5000	M Ω mini

Operating temperature	-40/+105	$^{\circ}$ C
Hermetic seal	NA	Atm.cm3/s
Panel leakage	NA	

OTHER CHARACTERISTICS

Assembly instruction **NA**

Others :

* COAXIAL TRANSMISSION LINE ONLY

**Intermod.:<-120dBc at 1.8GHz(2 x 20W)

RF leakage:Interf. only:3<F<6GHz:<-70dB

MECHANICAL CHARACTERISTICS

Center contact retention		
Axial force – Mating end	27	N mini
Axial force – Opposite end	27	N mini
Torque	2.8	N.cm mini
Recommended torque		
Mating	NA	N.cm
Panel nut	160	N.cm
Mating life	100	Cycles mini
Weight	4,4610	g

Issue : 0923 B

In the effort to improve our products, we reserve the right to make changes judged to be necessary.

